

ILLUSTRATED PARTS BREAKDOWN

PARTNER

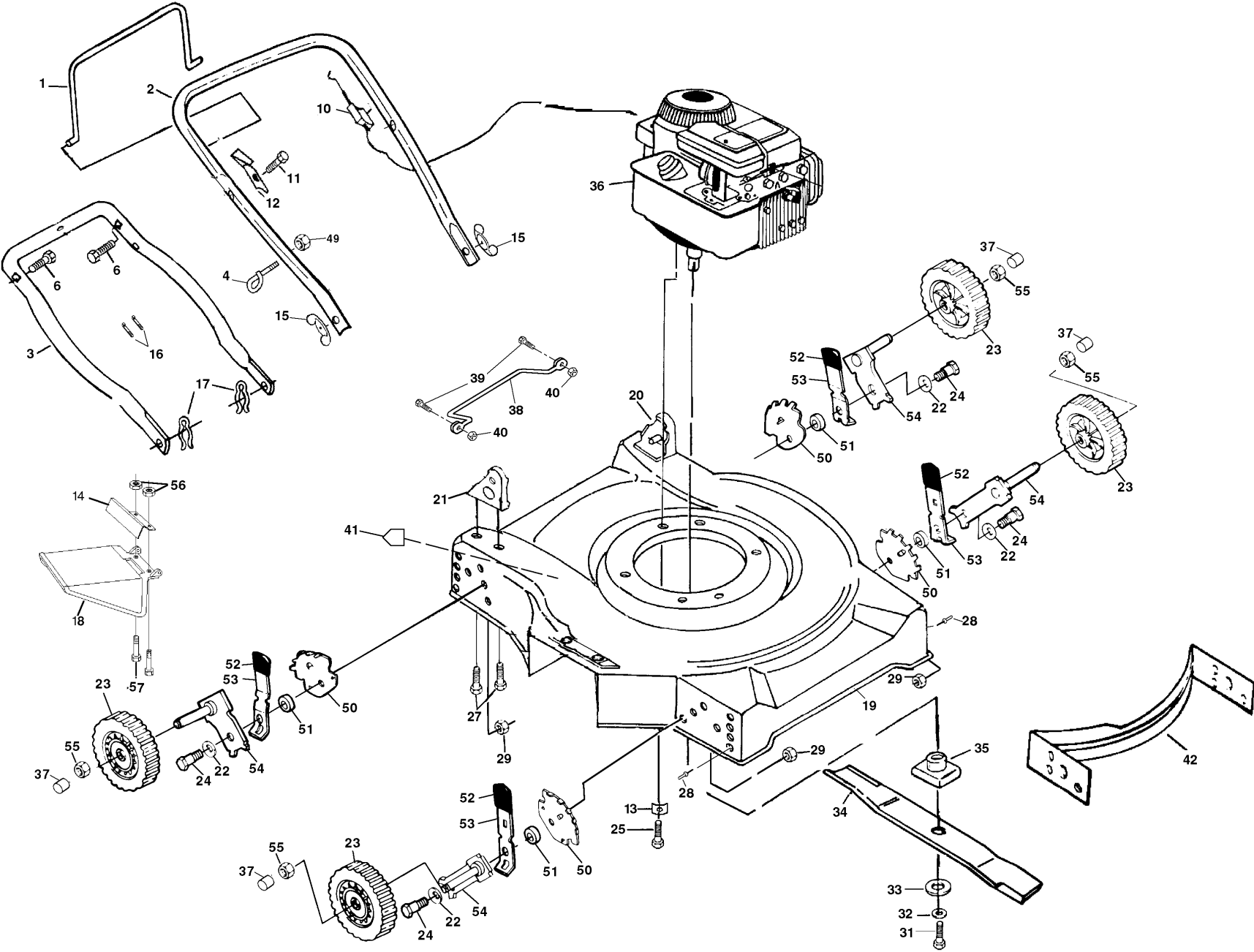
20" ROTARY LAWN MOWER

MODEL NO. 350H (P350HTG)

954 06 89-01

REPAIR PARTS

20" ROTARY LAWN MOWER MODEL NO. 350H (P350HTG), PRODUCT NO. 954 06 89-01



REPAIR PARTS

20" ROTARY LAWN MOWER MODEL NO. 350H (P350HTG), PRODUCT NO. 954 06 89-01

KEY NO.	PART NO.	DESCRIPTION
1	532131696	Control Bar
2	532168730	Upper Handle
3	532153406	Lower Handle
4	532132001	Rope Guide
6	532131959	Handle Bolt 5/16-18 x 1-3/4
10	532163799	Engine Zone Control Cable
11	532750097	Hex Washer Head Screw #10-24 x 1/2
12	532125203	Up-Stop Bracket
13	532125078	Engine Washer
14	532162234	Hinge Deflector
15	532128638	Steel Wingnut 5/16-18
16	532066426	Wire Tie
17	532051793	Hairpin Cotter
18	532752052	Discharge Guard
19	532171977	Housing Assembly Kit (Includes #42)
20	532170977	Handle Bracket Assembly (Left)
21	532170975	Handle Bracket Assembly (Right)
22	532062335	Belleville Washer
23	532800060	Wheel & Tire Assembly
24	532142748	Shoulder Bolt
25	532150406	Hex Head Thread Rolling Screw 3/8-16 x 1-1/8
27	532149741	Thread Cutting Screw 5/16-18 x 3/4
28	532128415	Pop Rivet
29	532751592	Locknut 3/8-16
31	532851084	Hex Head Screw 3/8-24 x 1-3/8 Gr. 8
32	532850263	Helical Lockwasher 3/8

KEY NO.	PART NO.	DESCRIPTION
33	532851074	Hardened Washer
34	532145106	20" Blade
35	532850977	Blade Adapter
36	-----	* Engine - Briggs & Stratton Model No. 9D902 Order parts from engine manufacturer
37	532800090	Hubcap
38	532154147	Foot Guard
39	532085825	Screw
40	532069180	Nut
41	532145494	Decal, Danger
42	532141519	Front Baffle
--	532141520	Rear Baffle (Not shown)
49	532063601	Keps Locknut
50	532139901	Wheel Adjusting Bracket
51	532146630	Spacer
52	532087877	Selector Knob
53	532141730	Selector Spring
54	532149857	Axle Arm Assembly
55	532083923	Nut
56	532063601	Nut
57	874760412	Screw
--	532173295	Operator's Manual (Sandinavian)
--	532173294	Operator's Manual (European)
--	Available Accessories not included with mower:	
--	GCK3200	Grass Catcher